

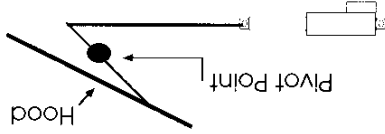
Linear Actuators

LA1-5

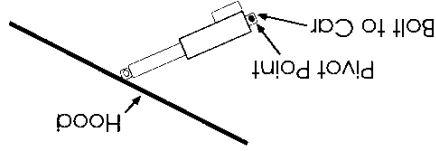
AutoLocTM
The power is in the Lock

Tech. Support
<http://www.autoloc.com>
support@autoloc.com
503-693-1918
FAQ'S ONLINE!

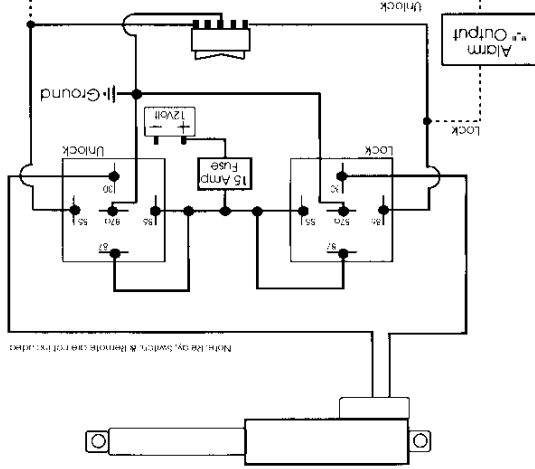
MOUNTING IDEAS



NOTE:
Do not over tighten actuator to vehicle.
Allow for easy movement on all pivot points.



WIRING DIAGRAM



Note: relay, switches & terminals are not included